

## DESCRIPTION

AMC MODEL SWN-218-2DT-IND-SP OPTION: 218, HI80DB, IS A SINGLE POLE TWO THROW ABSORPTIVE/NON-REFLECTIVE SWITCH DESIGNED TO OPERATE BETWEEN THE 2 TO 18 GHz FREQUENCY RANGE WITH HIGH ISOLATION AND LOW INSERTION LOSS.

## SPECIFICATIONS

- FREQUENCY RANGE: ..... 2 TO 18 GHz
- INSERTION LOSS: ..... 3.5 dB MAXIMUM
- ISOLATION: ..... 80 dB MINIMUM
- VSWR (ON/OFF): ..... 2.0:1
- DELAY ON: ..... 1 uSec MAXIMUM
- DELAY OFF: ..... 1 uSec MAXIMUM
- POWER INPUT: ..... +10 dBm
- CONTROL: ..... TTL LOGIC "0" = ON  
TTL LOGIC "1" = OFF
- POWER SUPPLY: ..... +5V @ 100 mA MAXIMUM  
-5V @ 100 mA MAXIMUM
- CONNECTORS:  
RF: ..... SMA FEMALE  
CONTROL: ..... SOLDER PIN
- SIZE: ..... 1.20" (L) x 1.00" (W) x 0.50" (H)
- WEIGHT: ..... 1.5 OUNCE TYPICAL

## OPTIONS:

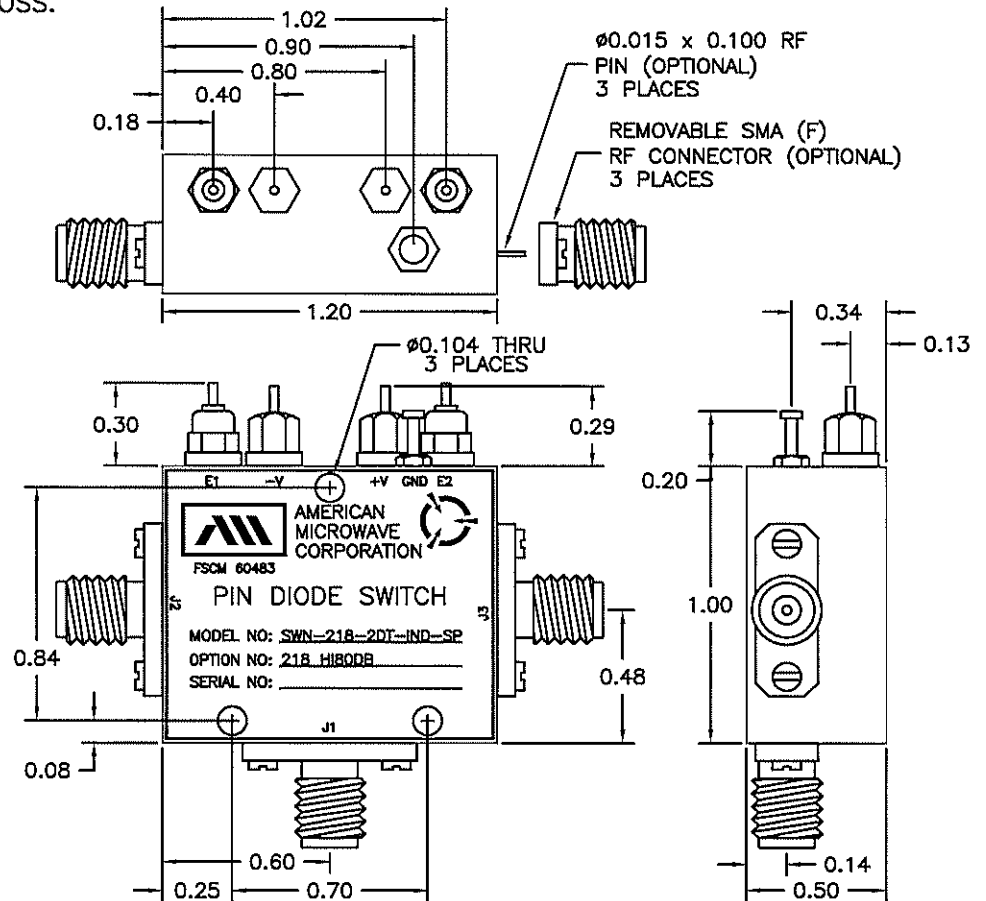
- 218: ..... 2 TO 18 GHz FREQUENCY RANGE
- HI80DB: ..... 80 dB ISOLATION

## ENVIRONMENTAL RATINGS:

- TEMPERATURE: ..... -55°C TO +85°C (OPERATING)  
-65°C TO +125°C (STORAGE)
- HUMIDITY: ..... MIL-STD-202F, METHOD 103B COND. B
- SHOCK: ..... MIL-STD-202F, METHOD 213B COND. B
- VIBRATION: ..... MIL-STD-202F, METHOD 204D COND. B
- ALTITUDE: ..... MIL-STD-202F, METHOD 105C COND. B
- TEMPERATURE CYCLE: ..... MIL-STD-202F, METHOD 107D COND. A

NOTE: SPECIFICATIONS WILL VARY OVER OPERATING TEMPERATURE  
NOTE: THE ABOVE SPECIFICATIONS ARE SUBJECT TO CHANGE OR REVISION

REVISIONS				
ZONE	REV.	DESCRIPTION	DATE	APPROVED
	-	ORIGINAL RELEASE JOB# 710192-2PE	11/18/07	
	A	SEE ECR# 08-009	1/21/08	



## AMERICAN MICROWAVE CORPORATION

7311-G GROVE ROAD  
FREDERICK, MARYLAND 21704 USA  
TEL: 301-662-4700 FAX: 301-662-4938  
WEBSITE: [www.americanmicrowavecorp.com](http://www.americanmicrowavecorp.com)  
E-MAIL: [sales@americanmicrowavecorp.com](mailto:sales@americanmicrowavecorp.com)  
ISO 9001:2000 CERTIFIED



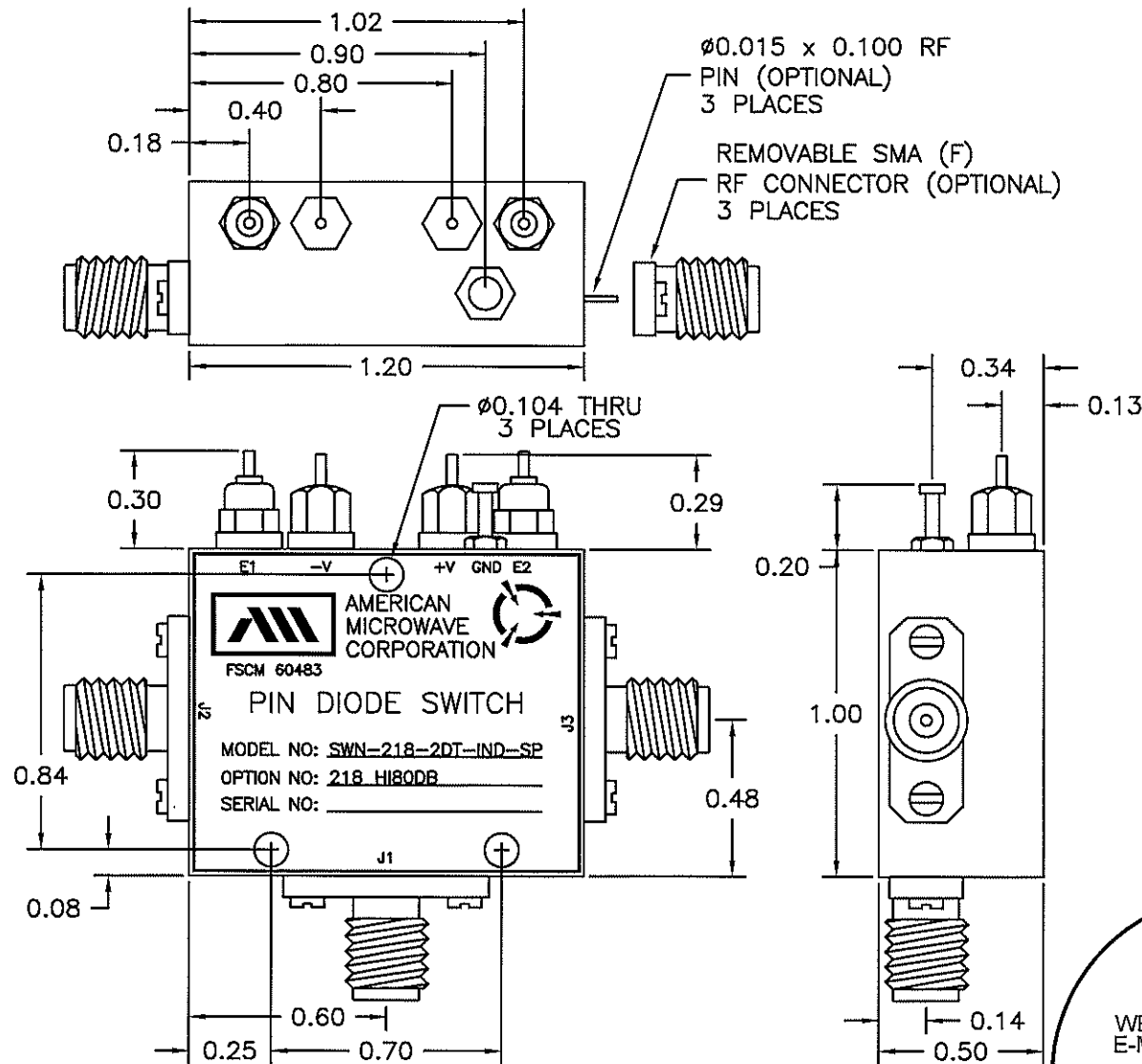
APPROVALS		DATE	TITLE			
DRAWN <i>PRB</i>		11/19/07	PRODUCT FEATURE SWN-218-2DT-IND-SP OPTION: 218, HI80DB 2 - 18 GHz, SINGLE POLE TWO THROW SWITCH			
CHECKED <i>RA</i>		1/22/08	SIZE	FSCM NO.	DWG NO.	REV.
ISSUED			A	60483	100-S018-000	A
			SCALE N:S	SHEET 1 OF 4		

ALL DIMENSIONS ARE IN INCHES  
TOLERANCES:  
X.XX ±0.020  
X.XXX ±0.010

## DESCRIPTION

AMC MODEL SWN-218-2DT-IND-SP OPTION: 218, HI80DB, IS A SINGLE POLE TWO THROW ABSORPTIVE/NON-REFLECTIVE SWITCH DESIGNED TO OPERATE BETWEEN THE 2 TO 18 GHz FREQUENCY RANGE WITH HIGH ISOLATION AND LOW INSERTION LOSS.

REVISIONS				
ZONE	REV.	DESCRIPTION	DATE	APPROVED
	-	ORIGINAL RELEASE JOB# 710192-2PE	11/12/07	
	A	SEE ECR# 08-009	1/21/08	



## MECHANICAL OUTLINE

### AMERICAN MICROWAVE CORPORATION

7311-G GROVE ROAD  
 FREDERICK, MARYLAND 21704 USA  
 TEL: 301-662-4700 FAX: 301-662-4938  
 WEBSITE: [www.americanmicrowavecorp.com](http://www.americanmicrowavecorp.com)  
 E-MAIL: [sales@americanmicrowavecorp.com](mailto:sales@americanmicrowavecorp.com)  
 ISO 9001:2000 CERTIFIED



ALL DIMENSIONS ARE IN INCHES  
 TOLERANCES:  
 X.XX  $\pm 0.020$   
 X.XXX  $\pm 0.010$

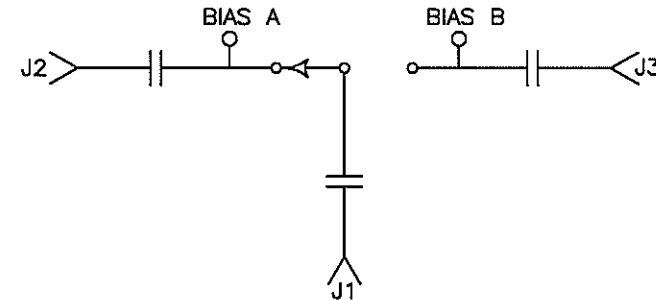
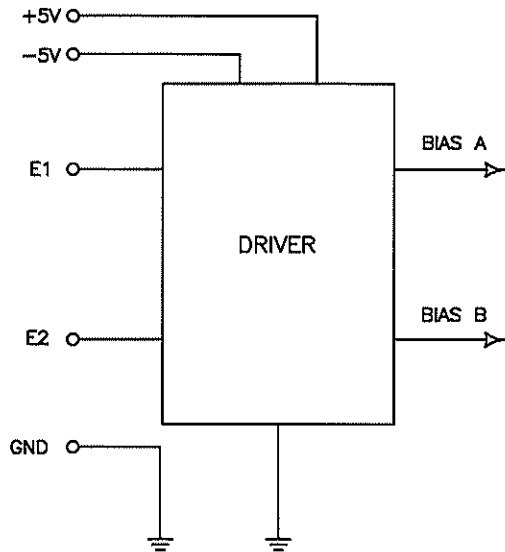
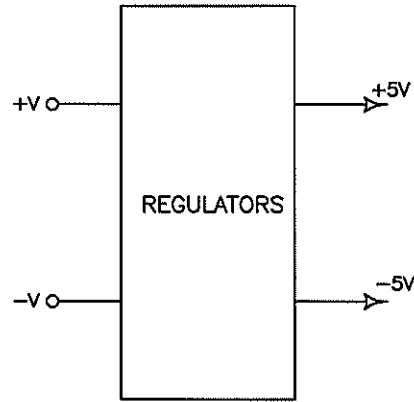
APPROVALS		DATE	TITLE			
DRAWN <i>PRB</i>		11/13/07	MECHANICAL OUTLINE SWN-218-2DT-IND-SP OPTION: 218, HI80DB 2 - 18 GHz, SINGLE POLE TWO THROW SWITCH			
CHECKED <i>RA HS</i>		<i>1/21/08</i>	SIZE A	FSCM NO. 60483	DWG NO. 100-S018-000	REV. A
ISSUED			SCALE N:S		SHEET	2 OF 4

**DESCRIPTION**

AMC MODEL SWN-218-2DT-IND-SP OPTION: 218, HI80DB, IS A SINGLE POLE TWO THROW ABSORPTIVE/NON-REFLECTIVE SWITCH DESIGNED TO OPERATE BETWEEN THE 2 TO 18 GHz FREQUENCY RANGE WITH HIGH ISOLATION AND LOW INSERTION LOSS.

REVISIONS				
ZONE	REV.	DESCRIPTION	DATE	APPROVED
	-	ORIGINAL RELEASE JOB# 710192-2PE	11/12/07	
	A	SEE ECR# 08-009	1/21/08	

**FUNCTIONAL BLOCK DIAGRAM**



**CONFIDENTIAL AND PROPRIETARY**

**AMERICAN MICROWAVE CORPORATION**

7311-G GROVE ROAD  
 FREDERICK, MARYLAND 21704 USA  
 TEL: 301-662-4700 FAX: 301-662-4938  
 WEBSITE: [www.americanmicrowavecorp.com](http://www.americanmicrowavecorp.com)  
 E-MAIL: [sales@americanmicrowavecorp.com](mailto:sales@americanmicrowavecorp.com)  
 ISO 9001:2000 CERTIFIED



APPROVALS		DATE	TITLE		
DRAWN <i>PRB</i>		11/13/07	FUNCTIONAL BLOCK DIAGRAM SWN-218-2DT-IND-SP OPTION: 218, HI80DB 2 - 18 GHz, SINGLE POLE TWO THROW SWITCH		
CHECKED <i>AA HS</i>	<i>12/15/07</i>		SIZE A	FSCM NO. 60483	DWG NO. 100-S018-000
ISSUED			SCALE N:S		REV. A
				SHEET	3 OF 4